

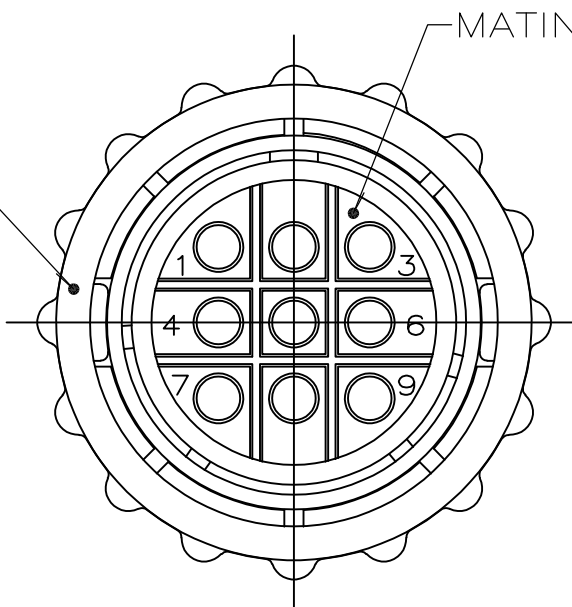
THIS DRAWING IS UNPUBLISHED. RELEASED FOR PUBLICATION  
 © COPYRIGHT - By - ALL RIGHTS RESERVED.

LOC	DIST	REVISIONS					
FT	0	P	LTR	DESCRIPTION	DATE	DWN	APVD
			D3	REVISED PER ECO-11-004917	11MAR11	RK	HMR

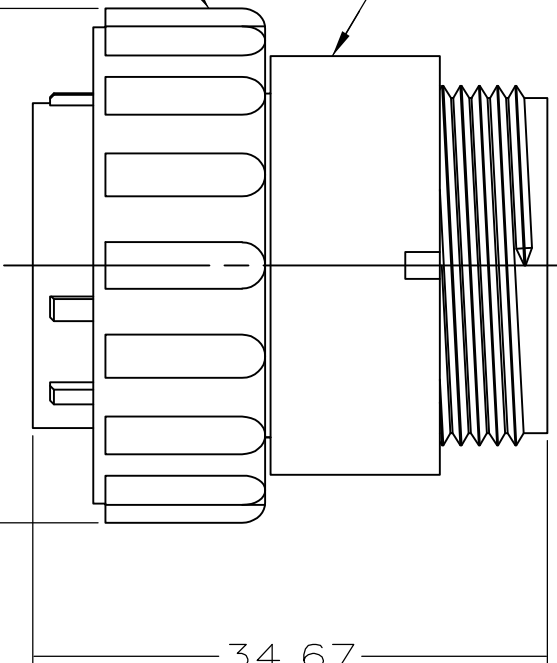
COUPLING RING  
 MATERIAL: SEE TABLE

PLUG HOUSING  
 MATERIAL: GLASS FILLED NYLON,  
 6/6, BLACK

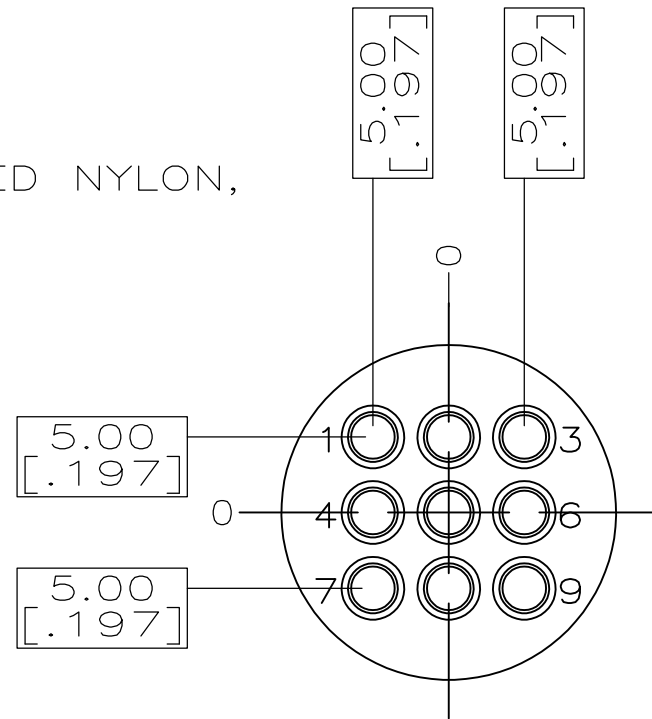
AMP PART NO  
 THIS SURFACE



34.26  
 [1.349]  
 MAX DIA



34.67  
 [1.365]  
 MAX



MATING FACE  
 CONFIGURATION

- CONTACT CAVITIES IDENTIFIED BY CHARACTERS ON FRONT AND REAR FACES OF CONNECTOR.
- THIS PART WILL ACCEPT 9 MULTIMATE PIN CONTACTS.

SUPERSEDED BY 211768-1	DIE CAST ZINC	-211768-2
	POLYESTER, BLACK	211768-1
	COUPLING RING MATERIAL	PART NUMBER

THIS DRAWING IS A CONTROLLED DOCUMENT.		DWN	K.FOLTZ	06/29/94	<b>STE</b> TE Connectivity		
		CHK	R.STONE	06/30/94			
DIMENSIONS: mm [INCHES]		TOLERANCES UNLESS OTHERWISE SPECIFIED:			NAME		
		0 PLC ± -			PRODUCT SPEC		
		1 PLC ± -			APPLICATION SPEC		
MATERIAL		2 PLC ± -			SIZE		
		3 PLC ± -			CAGE CODE		
FINISH		4 PLC ± -			DRAWING NO		
		ANGLES ± -			RESTRICTED TO		
		WEIGHT			A3 00779 C-211768		
CUSTOMER DRAWING				SCALE	2:1	SHEET	1 OF 1
				REV	D3		

# Mouser Electronics

Authorized Distributor

Click to View Pricing, Inventory, Delivery & Lifecycle Information:

[TE Connectivity:](#)

[211768-1](#)